

Assembly Guide

36" unit



***quick guide
version***

Improving secondary containment in the oil field

System Components

W2

Support leg/gusset



W3

Primary wall panel



W4

92" top rail cap



W35

46" top rail cap



W5

Primary wedge pin



W6

Corner support bracket



W7

Secondary wedge pin



W8

Main corner joint



W9

92" wall panel reinforcement angle



W10

49" corner reinforcement angle



W12

Leg support brace



W13

2.75" flat splicer clip



W21

Corner bracket cap



System Components cont'd.

Hardware

5/16" x 3/4" bolt



5/16 nut



5/16 carriage
head bolt



#12 Tek screw



#14 Tek screw



Tools required for assembly

Cordless power driver

5/16" driver bit (#12 Tek screws)

3/8" driver bit (#14 Tek screws)

1/2" socket driver or wrench

1/2" wrench

Hammer

Pre-assembly check list

Prepare site and install containment system in accordance with local rules and regulations.

The provided guide is for initial assembly. Moving the unit from site to site may eliminate certain steps when re-assembling, depending on the preferences of the mover.

Level site area prior to assembling unit or delivering to new location.

Quick assembly guide

- 1** Lay panels end to end, face down, until desired length is reached.



- 2** Perform assembly of W2 support legs. Bolt one W12 leg support brace to each W2 leg using 5/16" bolts and nuts.



- 3** Using the W5 and W7 wedge pins, attach support legs in between panels (at the panel seams)

a The W5 pin goes through panels and leg horizontally. The W7 pin is then pushed through the slot in the W5. Drive with a hammer to tighten connection.

b Use the W13 splicer clip at the panels seams. This connects the top of the leg and the top rail caps.



- 4** Attach remaining legs along wall section (in between existing legs). The top of each leg connects to the top rail with a 5/16" bolt.



- 5** With the wall panels still lying down, attach the W9 reinforcement angles using the wedge pins. Once the reinforcement braces have been attached, the wall section can be erected.



- 6** Remaining wall sections can be assembled in same manner.

- 7** Connect the corners using the wedge pins and a W8 corner joint. While attaching the corner joints, the W10 corner reinforcement brace can also be attached using the wedge pins.



Quick assembly guide

8

While connecting the corners, install the W6 corner bracket before joining the next corner. Use the 5/16" carriage head bolts.



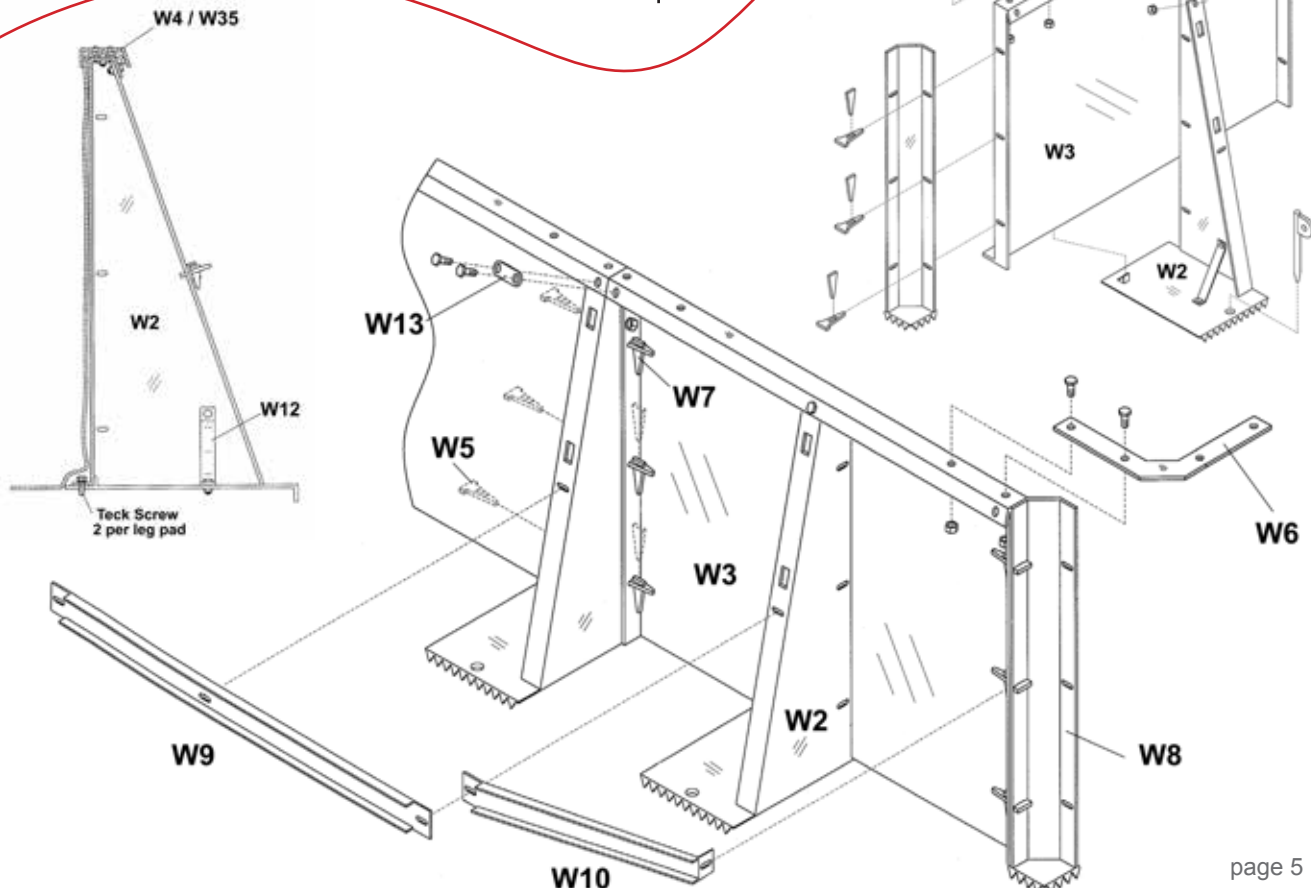
Install optional accessories at this point

9

Install containment liner/membrane according to manufacturer's recommendations.

10

Attach the W21 corner bracket cap to hold down the liner in the corners. Use the 5/16" carriage head bolts and flange nuts.



11

Attach W4 and W35 top rail caps using tek screws.

a

The edge with the longer bend should be inside the containment area.

b

The W35 cap (4 foot) is installed as the first cap off each corner (in both directions). Attach W4 caps (8 foot) in between W4 caps.



Photo shown without liner in place. Install liner before attaching rail caps.

Assembly Complete

Sales & Product Support



United States

Innovative Fabricators
1900 14th Ave SW
Watertown, SD 57201

Phone / 1.605.886.7717
Fax / 1.605.886.7304
Email / inscosales@innovativefab.com

Canada

The Quest Group of Companies
411, 919 Centre Street NW
Calgary, Alberta CANADA
T2E 2P6

Phone / 1.403.460.4781
Fax / 1.403.719.4289
Email / sales@thequestgroup.co
serentals@thequestgroup.co

www.INSCOsystem.com

[product guides](#) | [demo videos](#) | [sales](#)